

Hydraulic Cone Crusher



What we do today is to ensure the future of our group with youth and spirit forever and ever.

- SBM

Hydraulic Cone Crusher (HPC)



Hydraulic Cone Crusher Overview

HPC series cone crusher with high-efficiency and hydraulic pressure was widely used in mining, concrete factory, sandstone making, etc. The machinery's pressure resistance strength is under 350Mpa. And they are widely suitable for primary crushing of many kinds of mining and rock such as many kinds of ores, concrete, fireproof material, bauxite, quartzite, corundum, perlite, ironstone, basalt, etc.

Applications

HPC series cone crusher with high-efficiency and hydraulic pressure is widely used in mining, cement factory, sand& stone industry. It is used for secondary and fine crush of all kinds of rocks, whose pressure strength resistance is under 350Mpa, such as iron ores, nonferrous metal ores, basalt, granite, limestone, sandstone, cobble etc.

Main Features and Benefits

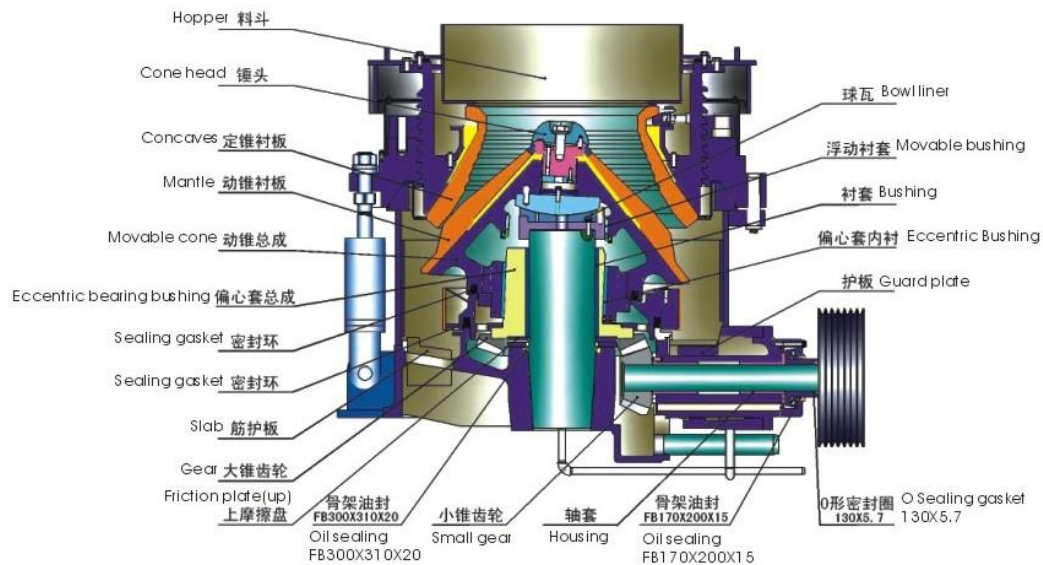
1. The successful combination of high performance crushing cavity and high crushing frequency enhance the capacity of HPC, plus the application of sink crushing principal, most of the product shaped cubical size, which sharply reduce needle-shape materials.
2. HPC features simple structure, easy maintenance, convenient adjustment of the size of final products, especially the quick replacement of plate reduce the time to stop the machine.

Technical Data

Model	Cavity (coarse/fine)	Discharge setting min.(mm)	Capacity (t/h)	Motor Power(kW)	Movable cone diameter(mm)	Weight(t)
HPC-160	425	50-100	45-80	55	500×750	10.1
	425	50-100	45-80	55	500×750	10.1
HPC-220	500	65-160	70-120	55-75	6000×900	15.5
	630	80-140	130-260	110	750×1060	28
HPC-315	750	95-165	220-380	110-132	900×1200	50
	850	195-265	230-380	132	1000×1200	57
HPC-400	1020	150-300	400-800	160-220	1200×1500	100.9
	250	25-105	20-90	55-75	300×1300	11

Note: This specification is just reference, any changes are subject to the Hydraulic Cone Crusher products.

How Hydraulic Cone Crusher Works



The crushing principle of HPC is finished between fixed cone plate and movable cone plate. The motor drives the horizontal axis of the crusher through triangle belt and pulley, the horizontal axis drive the eccentric shaft bush to rotate through gear transmission. The eccentric shaft drives the main shaft to make the movable cone plate swing at a regulated track from time to time, the materials are crushed due to constant pressed and crooked in the crushing cavity. The finished products are discharged from the discharging opening.

Sales Hot-Line

International Dept.1: Tel: 0086-21-58383098

International Dept.2: Tel: 0086-21-58383028

International Dept.3: Tel: 0086-21-58383058

International Dept.4: Tel: 0086-21-58383003

International Dept.5: Tel: 0086-21-58383022

E-mail & Fax

E-mail: sbm@unisbm.com

Fax: 0086-21-58383058

Office Address & Zip

Add : No.416 Jianye Road, South Jinqiao Area, Pudong, Shanghai, China

Zip / Postal Code : 201201